



KL
OUTDOOR
KEEP LIVING

Muskegon, Mi 49444
Phone (231) 332-1700
Outtasitehunting.com

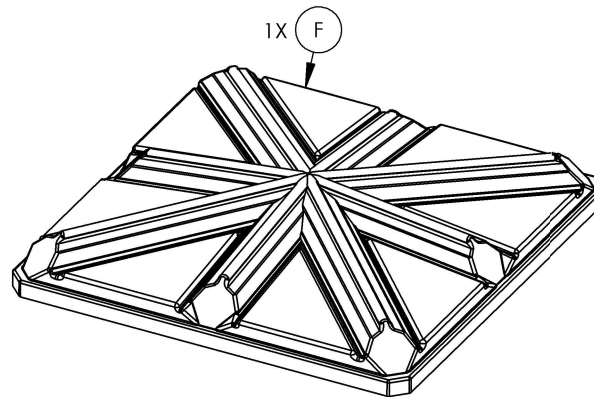
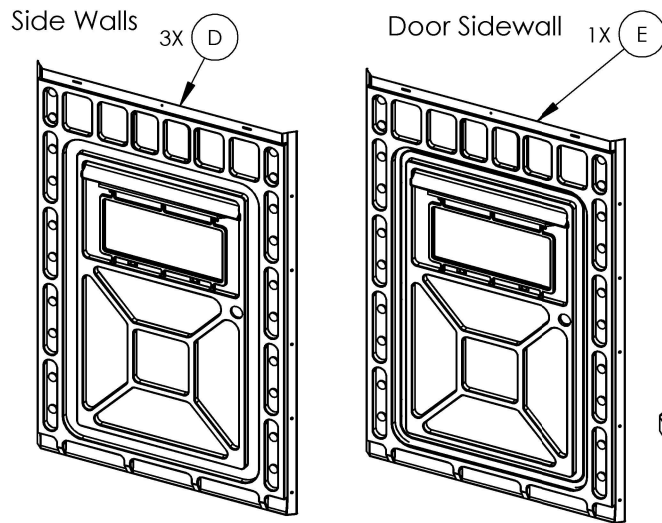
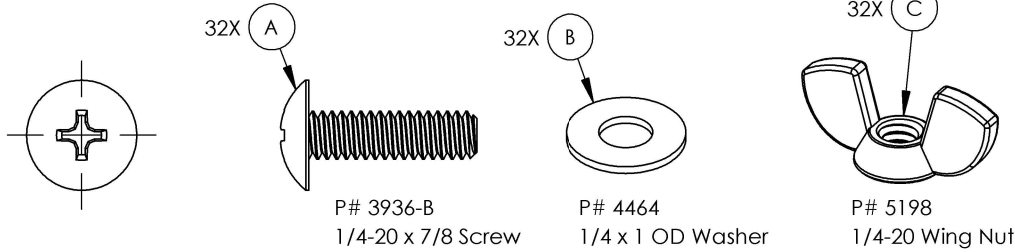
XG1982 HABITAT 4 & THICKET 4 ASSEMBLY INSTRUCTIONS

REQUIRED TOOLS:

PHILLIPS SCREWDRIVER
HAND SPRING CLAMP
MAY ASSIST IN
ASSEMBLY OF WALLS

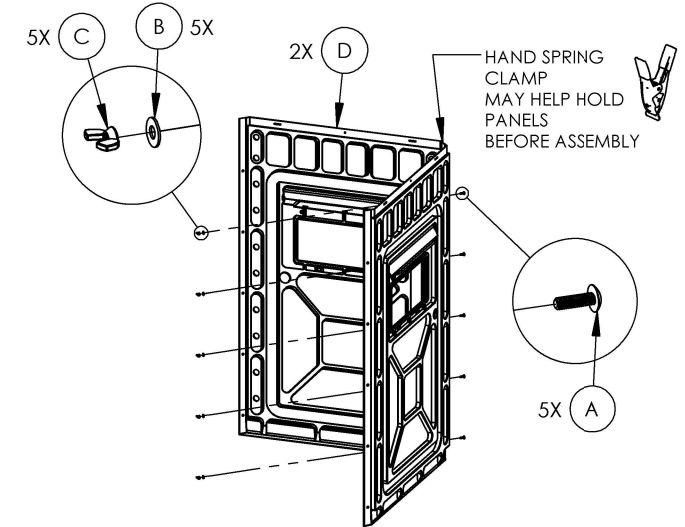


PACKAGE CONTENTS:



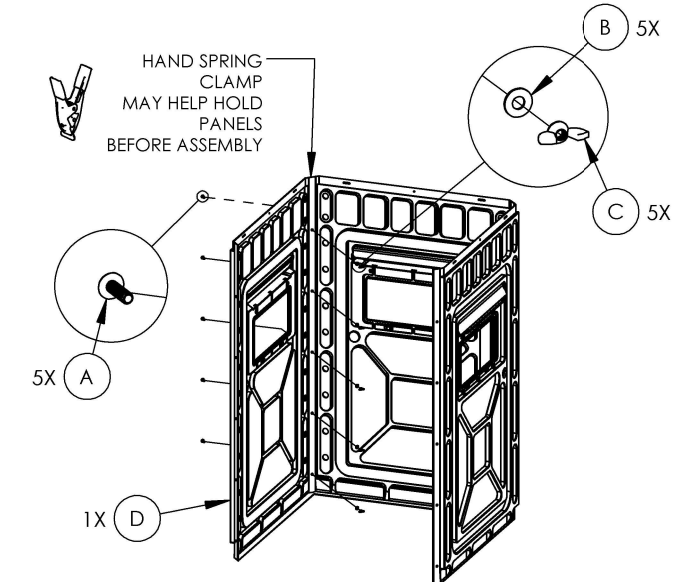
STEP 1:

STAND (2) WALL PANELS "D" TO MAKE A CORNER AND ALIGN THE SCREW HOLES. INSERT (5) SCREWS "A" THROUGH BOTH PANELS FROM THE OUTSIDE OF THE BLIND. FASTEN EACH SCREW WITH A WASHER "B" & WING NUT "C".



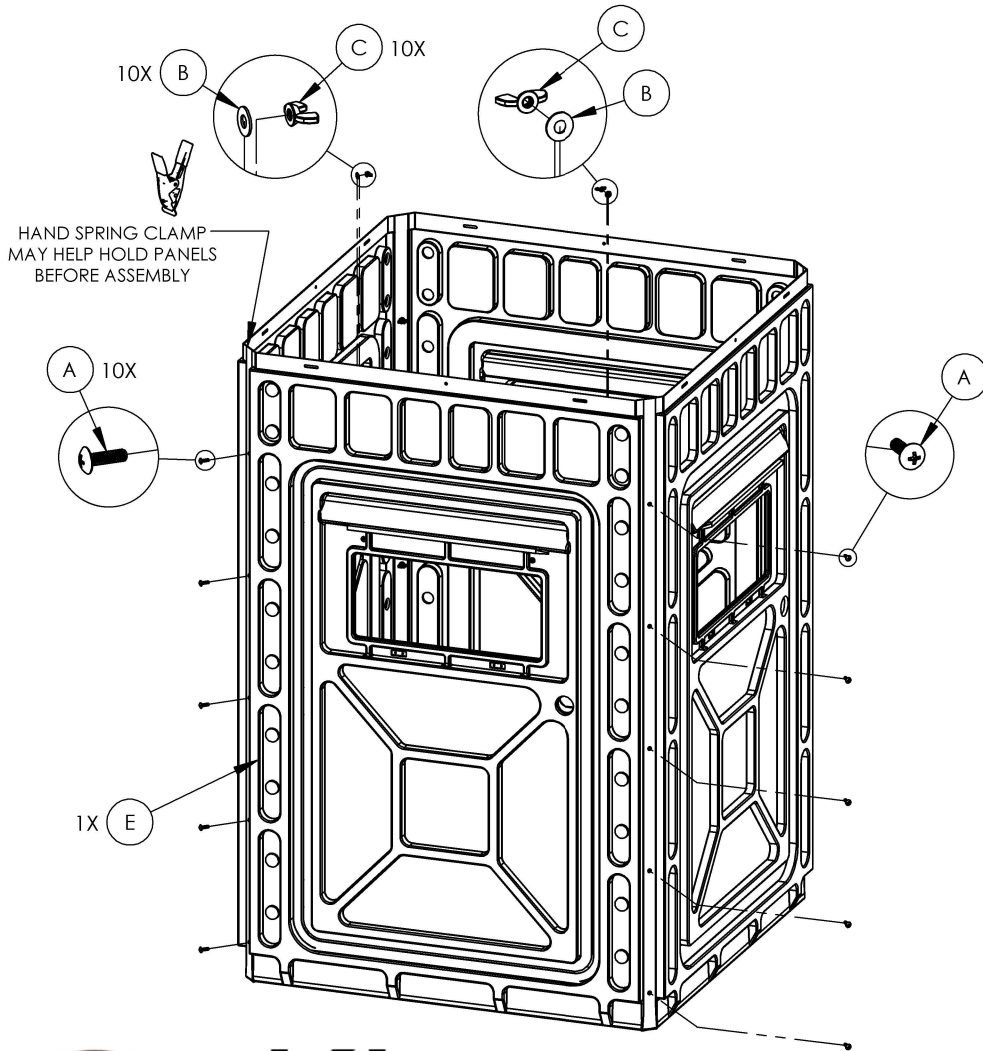
STEP 2:

STAND THE 3RD WALL PANEL "D" TO MAKE A CORNER AND ALIGN THE SCREW HOLES. INSERT (5) SCREWS "A" THROUGH BOTH PANELS FROM THE OUTSIDE OF THE BLIND. FASTEN EACH SCREW WITH A WASHER "B" & WING NUT "C".



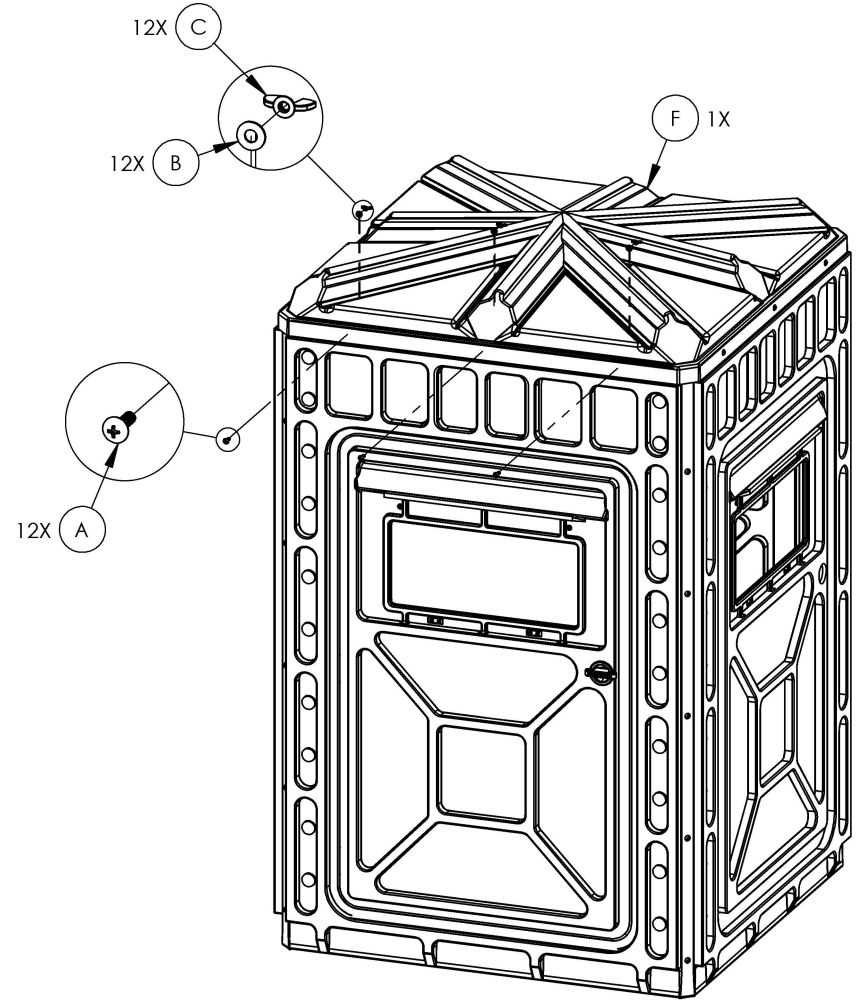
STEP 3:

STAND THE DOOR PANEL "E" AND ALIGN THE SCREW HOLES TO CLOSE THE LAST CORNERS. INSERT (10) SCREWS "A" THROUGH BOTH PANELS FROM THE OUTSIDE OF THE BLIND. FASTEN EACH SCREW WITH A WASHER "B" & WING NUT "C".



STEP 4:

SET THE ROOF PANEL "O" OVER THE TOP OF THE BLIND. INSERT (3) SCREWS "A" ON EACH SIDE OF THE ROOF PANEL THROUGH THE SIDE PANELS FROM THE OUTSIDE OF THE BLIND. FASTEN EACH SCREW WITH A WASHER "B" AND WING NUT "C".



KL
OUTDOOR
KEEP LIVING

Muskegon, Mi 49444
Phone (231) 332-1700
Outtasitehunting.com