

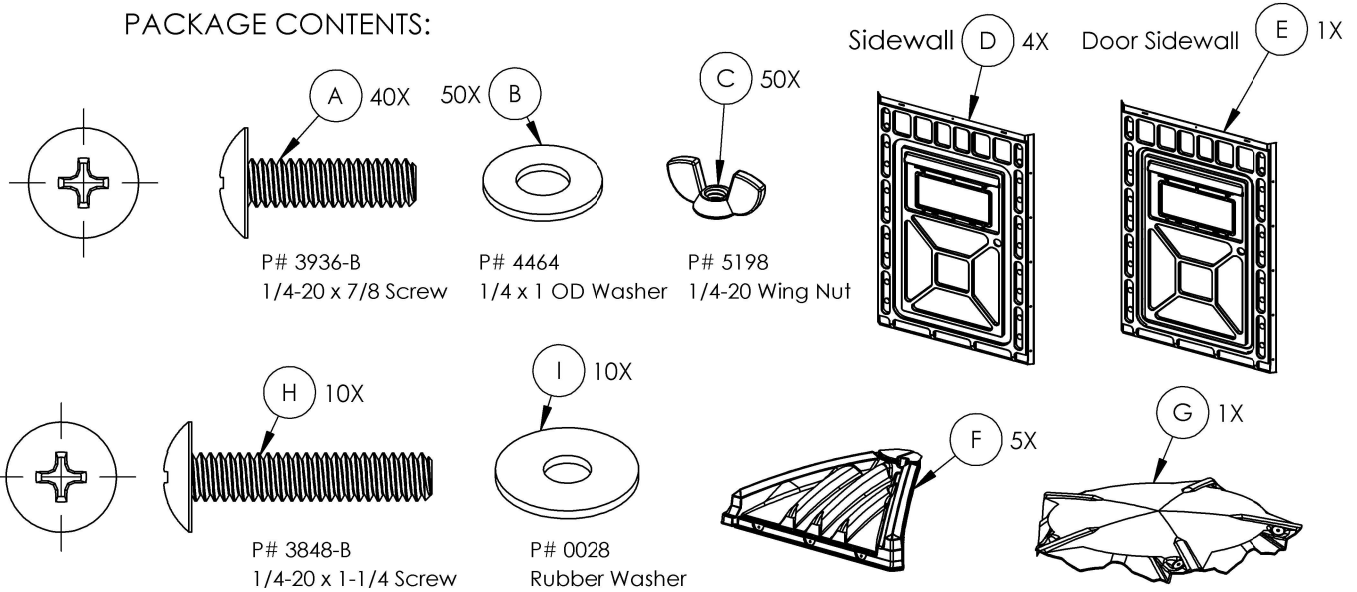


KL
OUTDOOR
 KEEP LIVING

Muskegon, Mi 49444
 Phone (231) 332-1700
 Outtasitehunting.com

XG1984 HABITAT 5 & THICKET 5 ASSEMBLY INSTRUCTIONS

PACKAGE CONTENTS:

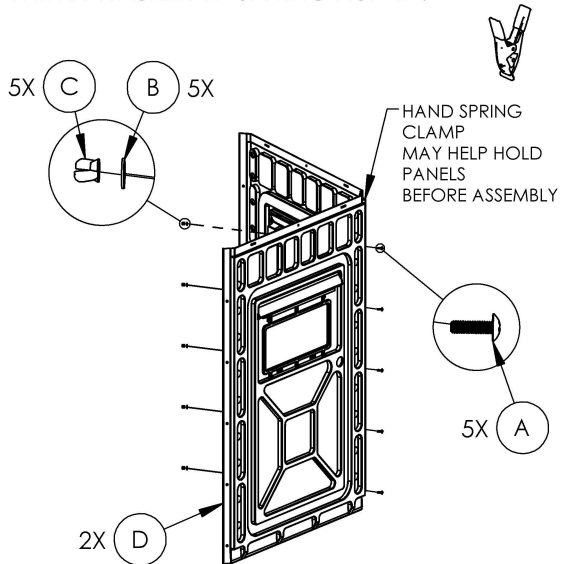


REQUIRED TOOLS:

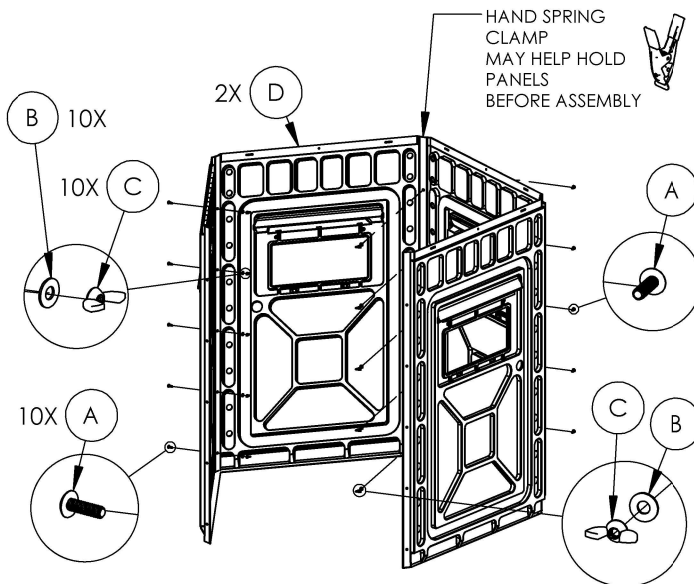
PHILLIPS SCREWDRIVER
 HAND SPRING CLAMP
 MAY ASSIST IN ASSEMBLY
 OF WALLS



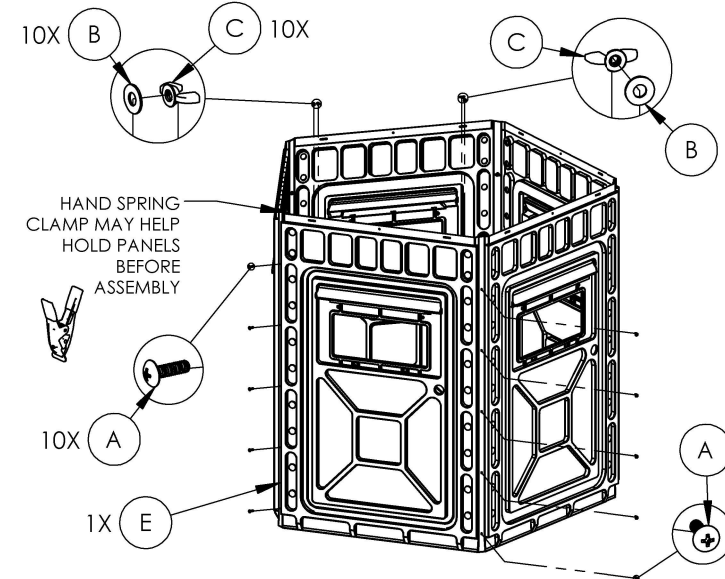
STEP 1:
 STAND (2) WALL PANELS "D" TO MAKE A CORNER AND ALIGN THE SCREW HOLES. INSERT (5) SCREWS "A" THROUGH BOTH PANELS FROM THE OUTSIDE OF THE BLIND. FASTEN EACH SCREW WITH A WASHER "B" & WING NUT "C".



STEP 2:
 STAND THE 3RD WALL PANEL "D" TO MAKE A CORNER AND ALIGN THE SCREW HOLES. INSERT (5) SCREWS "A" THROUGH BOTH PANELS FROM THE OUTSIDE OF THE BLIND. FASTEN EACH SCREW WITH A WASHER "B" & WING NUT "C". REPEAT FOR THE 4TH WALL PANEL

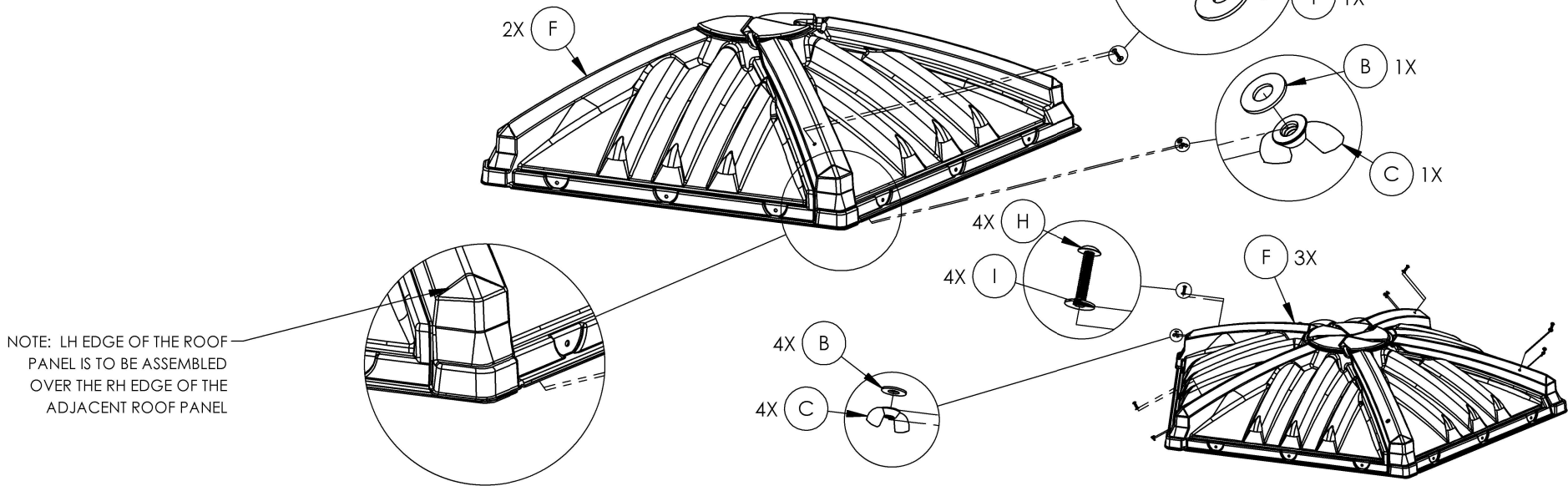


STEP 3:
 STAND THE DOOR PANEL "E" AND ALIGN THE SCREW HOLES TO CLOSE THE LAST CORNERS. INSERT (10) SCREWS "A" THROUGH BOTH PANELS FROM THE OUTSIDE OF THE BLIND. FASTEN EACH SCREW WITH A WASHER "B" & WING NUT "C".



STEP 4:

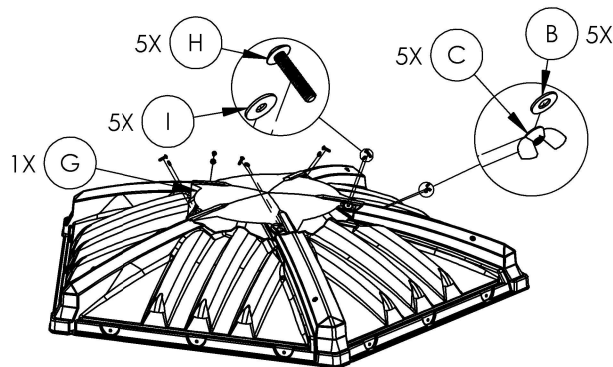
OVERLAP (2) OF THE ROOF PANELS "F" ALONG THEIR EDGES AND INSERT A SCREW "H" WITH RUBBER WASHER "I" THROUGH THE HOLES THAT ALIGN. FASTEN WITH A WING NUT "C" AND WASHER "B". REPEAT FOR THE REMAINING THREE PANELS.



NOTE: LH EDGE OF THE ROOF PANEL IS TO BE ASSEMBLED OVER THE RH EDGE OF THE ADJACENT ROOF PANEL

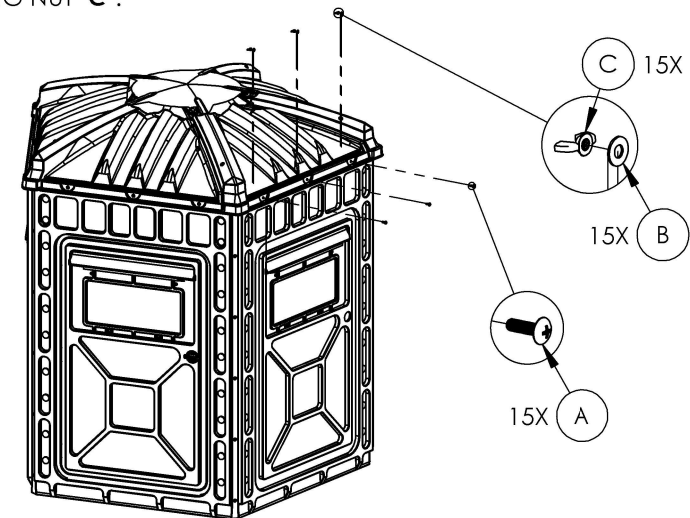
STEP 5:

IT IS RECOMMENDED THAT THIS BE DONE ON A FLAT SURFACE. PLACE THE ROOF CAP "G" UPSIDE DOWN ON THE FLAT SURFACE. SET THE PRE-ASSEMBLED ROOF PANELS UPSIDE DOWN ONTO THE ROOF CAP. INSERT (5) SCREWS "H" WITH (5) RUBBER WASHERS "I" ON THE OUTSIDE OF THE ROOF CAP AND THROUGH THE ROOF PANELS. FASTEN EACH SCREW WITH A WASHER "B" & WING NUT "C".



STEP 6:

SET THE ROOF PANEL OVER THE TOP OF THE BLIND. INSERT (3) SCREWS "A" ON EACH SIDE OF THE ROOF PANEL THROUGH THE SIDE PANELS. FASTEN EACH SCREW WITH A WASHER "B" AND WING NUT "C".



KL
OUTDOOR
KEEP LIVING

Muskegon, Mi 49444
Phone (231) 332-1700
Outtasitehunting.com